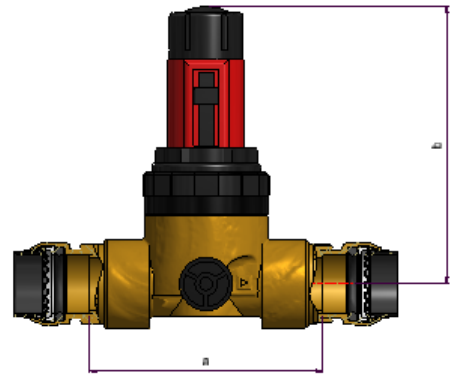


314 SERIES DIAL-UP PRESSURE REDUCING VALVES WITH SHARKBITE CONNECTORS



SIZE	CODE	QTY	a	b
15mm	SBPRED314001	1	87mm	103mm
22mm	SBPRED314005	1	95mm	103mm

For use at temperatures up to 70°C.
Adjustable between 1.0-6.0 bar.



DEMOUNTABLE



ELECTRICALLY
CONTINUOUS



INSTANTLY
REUSABLE



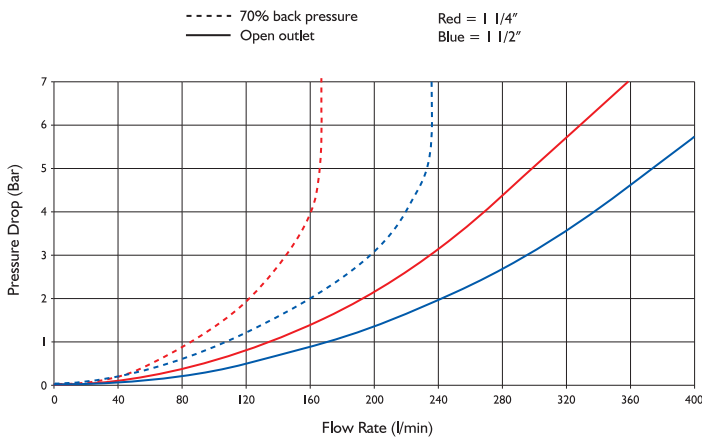
FEATURES AND BENEFITS

- Easy-to-read pressure indicator
- One piece easy to replace cartridge
- Can be installed in any orientation
- Suitable for hot and cold applications
- Integral strainer

MATERIALS

COMPONENT	MATERIAL
Body	DZR Brass
Internal Components	DZR Brass
Seals	EPDM
Strainer	Stainless Steel
Diaphragm	EPDM
Cover	ABS
O Ring	Ethylene Polypropylene Diene Monomer (EPDM)
15 & 22mm Cartridge	304 Stainless Steel
Grab Ring	316 Stainless Steel
Disconnecting Ring	Acetal Copolymer
Alignment Ring	Nylon 6

FLOW CHARACTERISTICS



SPECIFICATION

Maximum pressure	25 bar
Adjustable set pressure	1.5-6.0 bar
Pressure reduction ratio	10:1
Maximum temperature	70°C

GUARANTEE

As a result of the rigorous manufacturing and quality controls and also internal long term test results, all SharkBite valves are guaranteed against defects in materials or manufacturing for 1 year from the date of purchase.

APPROVALS



PIPE COMPATABILITY

COPPER

Copper pipe manufactured in accordance with BS EN 1057 in sizes 10mm to 54mm. If 10mm annealed Copper pipe is being used, it must be re-calibrated in accordance with Table 4 R250 tolerances in the above standard and a Copper liner installed into the pipe prior to assembly.

PEX

SharkBite cross linked Polyethylene (PEX) manufactured to BS 7291: Part 3 in sizes 10mm to 54mm utilising the specific manufacturer's pipe liner.

POLYBUTYLENE

Polybutylene (PB) manufactured to BS 7291: Part 2 when utilising the specific manufacturer's liner.

CARBON PIPE

Carbon Steel pipe manufactured to EN 10305 – 2.

ELECTRICAL CONTINUITY

SharkBite fittings are TRaC certified to provide electrical continuity when used with Copper or Carbon Steel pipe with the exception of 10mm fittings.



Reliance Worldwide Corporation (UK) Ltd. Worcester Road, Evesham, Worcs. WR11 4RA, UK
 Tel: +44 (0)1386 712400 Fax: +44 (0)1386 712401 Web: www.rwc.co.uk

As part of our continuous improvement programme, RWC reserve the right to amend and update product specification. E&OE