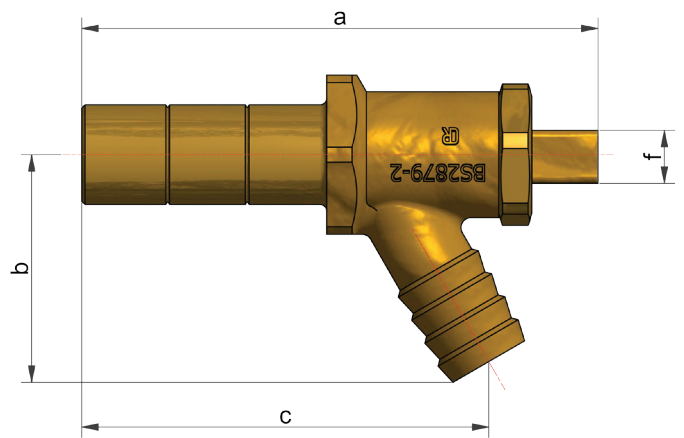


SHARKBITE DRAIN COCK WITH STREET END



SIZE	CODE	QTY	a	b	c	f
15mm	SB1315	5*	77mm	26mm	60mm	8mm

*Singles also available - add -s to the code



DEMOUNTABLE



ULTRA LOW
LEAD DZR



ELECTRICALLY
CONTINUOUS



INSTANTLY
REUSABLE



MATERIALS

COMPONENT	MATERIAL
Body	CW511L Brass
O ring	NBR
Washer	NBR
Nut	CW511L Brass

SPECIFICATION

Maximum pressure 10 bar at 85°C

GUARANTEE

As a result of the rigorous manufacturing and quality controls and also internal long term test results, all SharkBite valves are guaranteed against defects in materials or manufacturing for 1 year from the date of purchase.

APPROVALS



PIPE COMPATABILITY

COPPER

Copper pipe manufactured in accordance with BS EN 1057 in sizes 10mm to 54mm. If 10mm annealed Copper pipe is being used, it must be re-calibrated in accordance with Table 4 R250 tolerances in the above standard and a Copper liner installed into the pipe prior to assembly.

PEX

SharkBite cross linked Polyethylene (PEX) manufactured to BS 7291: Part 3 in sizes 10mm to 54mm utilising the specific manufacturer's pipe liner.

POLYBUTYLENE

Polybutylene (PB) manufactured to BS 7291: Part 2 when utilising the specific manufacturer's liner.

CARBON PIPE

Carbon Steel pipe manufactured to EN 10305 – 2.

ELECTRICAL CONTINUITY

SharkBite fittings are TRaC certified to provide electrical continuity when used with Copper or Carbon Steel pipe with the exception of 10mm fittings.



Reliance Worldwide Corporation (UK) Ltd. Worcester Road, Evesham, Worcs. WR11 4RA, UK
 Tel: +44 (0)1386 712400 Fax: +44 (0)1386 712401 Web: www.rwc.co.uk

As part of our continuous improvement programme, RWC reserve the right to amend and update product specification. E&OE

Dec14